

SONY

Hi-Fi Products
Service Bulletin

Sony Service Company - Technical Services
A Division of Sony Corporation of America
Sony Drive, Park Ridge, New Jersey 07656

Model: D2, D4, DT4

No. 85

Subject: Rack and Motor Assembly Replacement **Date:** September 15, 1989

Symptom:
(**)

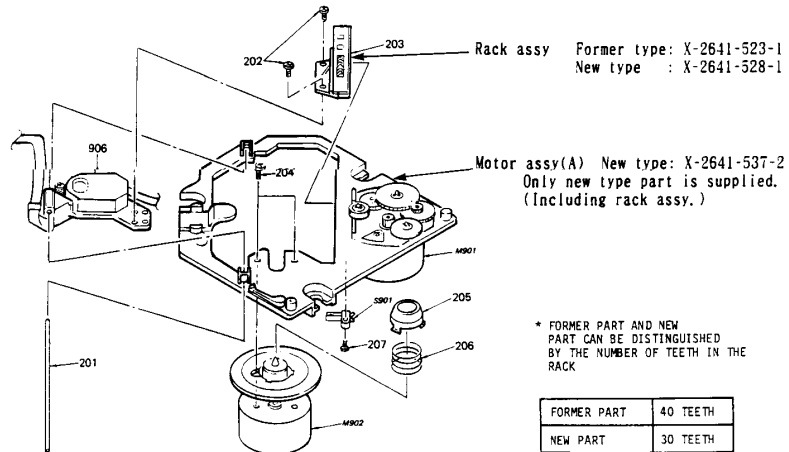
Old type of rack and motor gears may bind causing skipping or no play.

Solution: The rack and motor assemblies should be replaced with the new type of rack and motor assemblies listed below:

Note: There is no interchangeability between old and new type parts. Therefore, when replacing the motor assembly (A), the new type of motor and rack assembly must be used.

These parts are supplied together under one part number.

The new rack assembly is also available separately, but must only be used with the new motor assembly.



CSA-13 Portable Compact Disc